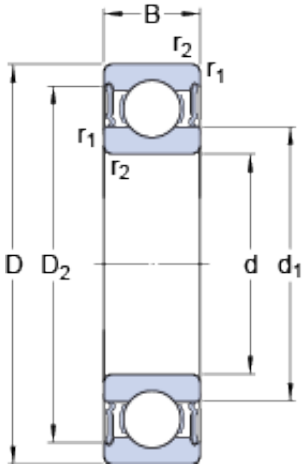




AMERICAN NTN BEARING CORP.



6214-2RS1/HC5C3WT SKF Hybrid Deep Groove Ball Bearings

Bearing No. 6214-2RS1/HC5C3WT

6214-2RS1/HC5C3WT Bearing 2D drawings and 3D CAD models

Size	125x70x24 mm
Bore Diameter	125 mm
Outer Diameter	70 mm
Width	24 mm
d	70 mm
D	125 mm
B	24 mm
d ₁	87.05 mm
D ₂	111 mm
d _a - min.	79 mm
d _a - max.	87 mm
D _a - max.	116 mm
r _a - max.	1.5 mm
Basic dynamic load rating - C	63.7 kN
Basic static load rating - C ₀	45 kN
Fatigue load limit - P _u	1.9 kN
Limiting speed	3400 r/min
Calculation factor - k _r	0.025
Calculation factor - f ₀	14.7
Category	Single Row Ball Bearings
Inventory	0.0
Manufacturer Name	SKF
Minimum Buy Quantity	N/A
Weight / Kilogram	0



AMERICAN NTN BEARING CORP.

Product Group	B00308
Enclosure	2 Seals
Precision Class	ABEC 1 ISO P0
Maximum Capacity / Filling Slot	No
Rolling Element	Ball Bearing
Snap Ring	No
Internal Special Features	Silicon Nitride Rolling Element Electrical Insulated
Cage Material	Steel
Enclosure Type	Contact Seal
Internal Clearance	C3-Loose
Inch - Metric	Metric
Long Description	70MM Bore; 125MM Outside Diameter; 24MM Outer Race Width; 2 Seals; Ball Bearing; ABEC 1 ISO P0; No Filling Slot; No Snap Ring; Silicon Nitride Rolling Element Electrical Insulated Internal Special
Other Features	Deep Groove NBR Seal Hybrid Silicon Nitride Rolling Element WT Standard Grease
Category	Single Row Ball Bearing
UNSPSC	31171504
Harmonized Tariff Code	8482.10.50.68
Noun	Bearing
Keyword String	Ball
Manufacturer URL	http://www.skf.com
Weight / LBS	1
Outer Race Width	0.945 Inch 24 Millimeter
Bore	2.756 Inch 70 Millimeter
Outside Diameter	4.921 Inch 125 Millimeter



AMERICAN NTN BEARING CORP.

Inner Race Width	0 Inch 0 Millimeter
d_1	87.05 mm
D_2	111 mm
$r_{1,2}$ min.	1.5 mm
d_a min.	79 mm
d_a max.	87 mm
D_a max.	116 mm
r_a max.	1.5 mm
Basic dynamic load rating C	63.7 kN
Basic static load rating C_0	45 kN
Fatigue load limit P_u	1.9 kN
Calculation factor k_r	0.025
Calculation factor f_0	14.7
Mass bearing	1 kg