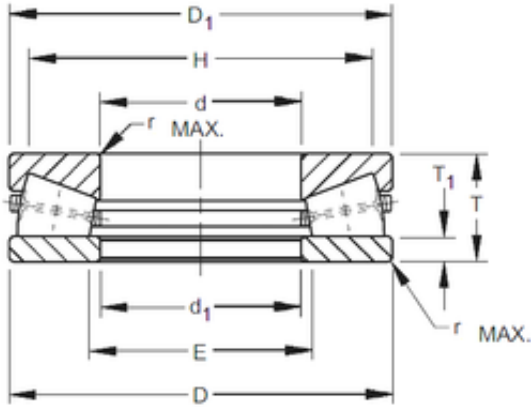




# AMERICAN NTN BEARING CORP.

## TIMKEN I-2060-C Thrust Roller Bearing

Bearing No. I-2060-C



I-2060-C Bearing 2D drawings and 3D CAD models

Size	368.541x609.156x120.65 mm
Bore Diameter	368,541 mm
Outer Diameter	609,156 mm
Width	120,65 mm
d	368,541 mm
D	609,156 mm
T	120,65 mm
r max	9,7 mm
T1	25,4 mm
d1	371,48 mm
D1	604,84 mm
E	401,6 mm
H	565,2 mm